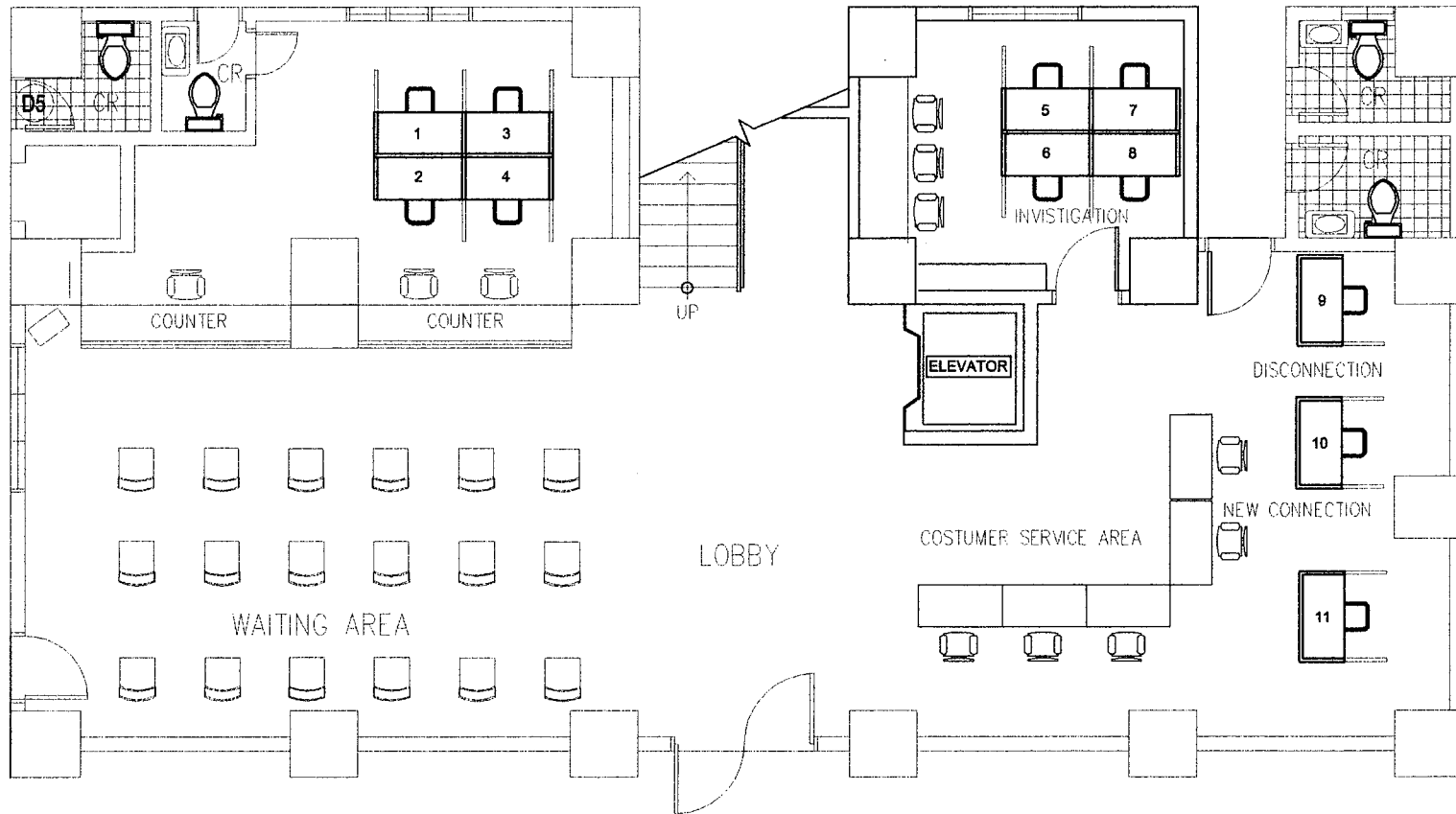


This design or drawing is the sole property of Calamba Water District. No part of this design or drawing may be reproduced or transmitted in any form or by any means without the written consent of its owner.




**GROUND FLOOR PLAN**  
 SCALE 1:100 m.



**CALAMBA WATER DISTRICT**  
 ENGINEERING DEPARTMENT  
 PLANNING AND DESIGN DIVISION

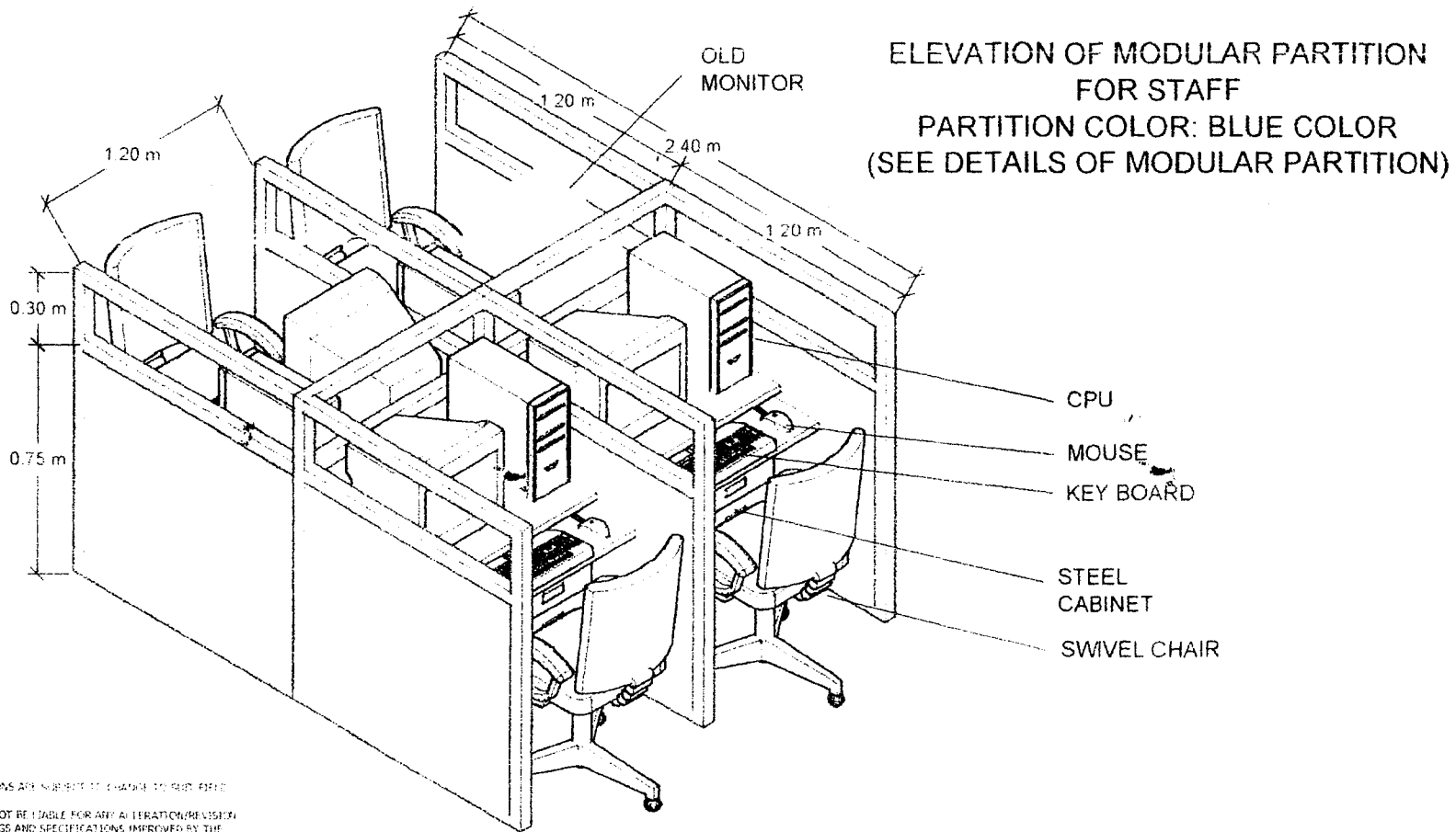
LAKEVIEW SUBD., HALANG, CALAMBA CITY

PROJECT TITLE:	PROPOSED MODULAR TABLE
LOCATION:	CWD BUILDING, COMMERCIAL DEPARTMENT

DRAWN BY:	A. DEL PRADO
DESIGNED BY:	ENGR. J. GILLERA
CHECKED BY:	ENGR. J. GILLERA
RECOMMENDED BY:	ENGR. J. GILLERA
APPROVED BY:	MR. E. A. AGUILAR JR. JR.


SHEET CONTENTS:	DATE:
FLOOR PLAN	

SHEET NO.	1
-----------	---

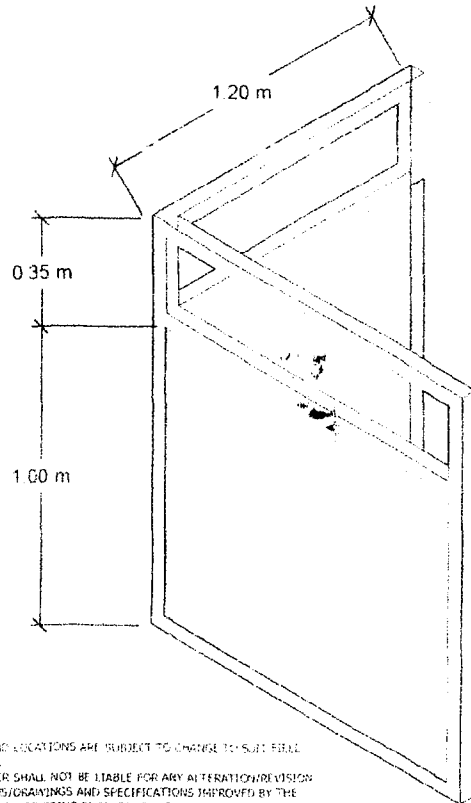


ELEVATION OF MODULAR PARTITION  
FOR STAFF  
PARTITION COLOR: BLUE COLOR  
(SEE DETAILS OF MODULAR PARTITION)

- NOTES
1. ALL DIMENSIONS ARE SUBJECT TO CHANGE TO SUIT FIELD CONDITIONS.
  2. THE DESIGNER SHALL NOT BE LIABLE FOR ANY ALTERATION/REVISION ON THE PLANS/DRAWINGS AND SPECIFICATIONS IMPROVED BY THE AUTHORIZED SUPERVISING ENGINEER DONE WITHOUT THEIR KNOWLEDGE THAT MAY IMPAIR THE STRENGTH OF THE PROJECT.

 <p><b>CALAMBA WATER DISTRICT</b> ENGINEERING DEPARTMENT PLANNING AND DESIGN DIVISION</p>	PROJECT TITLE:	AUTOCAD BY: ENGR. K. CERVANCIA	SHEET CONTENTS:	DATE:
	PROPOSED OFFICE MODULAR PARTITION	DESIGNED BY: ENGR. K. CERVANCIA	PERSPECTIVE	09.28.2016
	LOCATION:	CHECKED BY: ENGR. R.S. CARTAGO		SHEET NO.
	CALAMBA CITY, LAGUNA	RECOMMENDED BY: ENGR. R.S. CARTAGO		A-3
LAKEVIEW SUBD., HALANG, CALAMBA CITY	APPROVED BY: ENGR. R.B. SUMANGA			

ELEVATION OF MODULAR PARTITION  
(FOR DIVISION MANAGERS)  
PARTITION COLOR: BLUE



- (1) MID-BACK CHAIR WITH ARMS
  - PNEUMATIC LIFT;360° SWIVEL
  - RECLINE/ TILT MECHANISM
  - FABRIC FINISH BACK & SEAT
  - NYLON STAR BASE WITH CASTER


QUANTITY: 3 (THREE) PCS

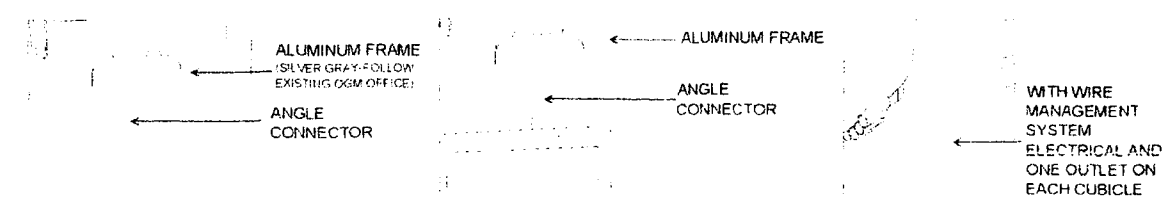
- (2) HIGH BACK CHAIR WITH ARMS
  - PNEUMATIC LIFT;360° SWIVEL
  - RECLINE/ TILT MECHANISM
  - FABRIC FINISH BACK & SEAT
  - NYLON STAR BASE WITH CASTER

QUANTITY: 1 (ONE) PC.

NOTES:

1. ALL SIZES AND LOCATIONS ARE SUBJECT TO CHANGE TO SUIT FIELD CONDITIONS.
2. THE DESIGNER SHALL NOT BE LIABLE FOR ANY ALTERATION/REVISION ON THE PLANS/DRAWINGS AND SPECIFICATIONS IMPROVED BY THE AUTHORIZED SUPERVISING ENGINEER DONE WITHOUT THEIR KNOWLEDGE THAT MAY IMPAIR THE STRENGTH OF THE PROJECT.

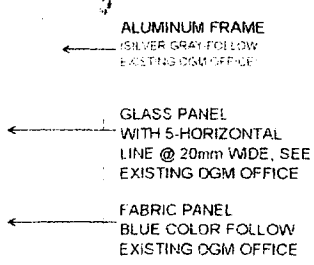
 <p><b>CALAMBA WATER DISTRICT</b> ENGINEERING DEPARTMENT PLANNING AND DESIGN DIVISION</p>	PROJECT TITLE:	AUTOCAD BY: ENGR. K. CERVANCIA	SHEET CONTENTS:	DATE:
	PROPOSED OFFICE MODULAR PARTITION	DESIGNED BY: ENGR. K. CERVANCIA	PERSPECTIVE	10.18.2016
	LOCATION:	CHECKED BY: ENGR. R.S. CARTAGO		SHEET NO.
	CALAMBA CITY, LAGUNA	RECOMMENDED BY: ENGR. R.S. CARTAGO	A-4	
LAKEVIEW SUBD., HALANG, CALAMBA CITY	APPROVED BY: ENGR. R.B. SUMANGA			



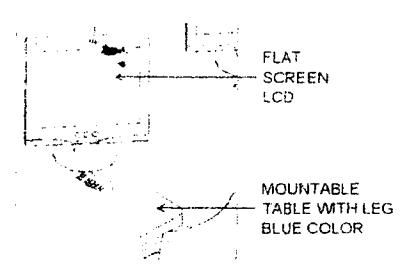
ANGLE CONNECTOR FOR 3-WAY CONNECTIONS

ANGLE CONNECTOR FOR 4-WAY CONNECTIONS

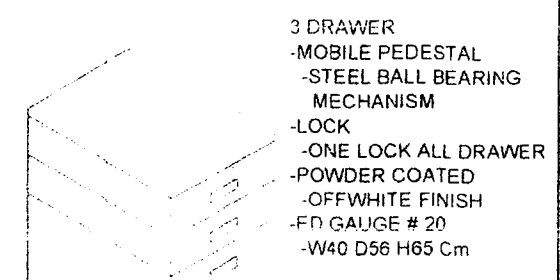
FLOOR-PANEL CONNECTION



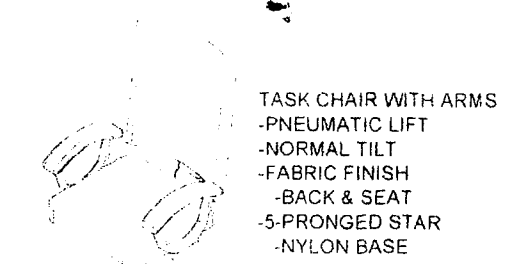
FABRIC PARTITION 1m(H) WITH TOP GLASS PANEL 0.35m(H). MONOTONE SILVER GRAY (SEE PLAN FOR SIZES)



FREESTANDING TABLE 25MM THICK & MOUNTABLE BLUE COLOR FOLLOW EXISTING OGM OFFICE LEGS VARIABLE WIDTH 60CM(D)




PEDESTAL CABINET DETAILS  
 QUANTITY: 3RD FLR-16 PCS  
 GRND FLR- 7 PCS



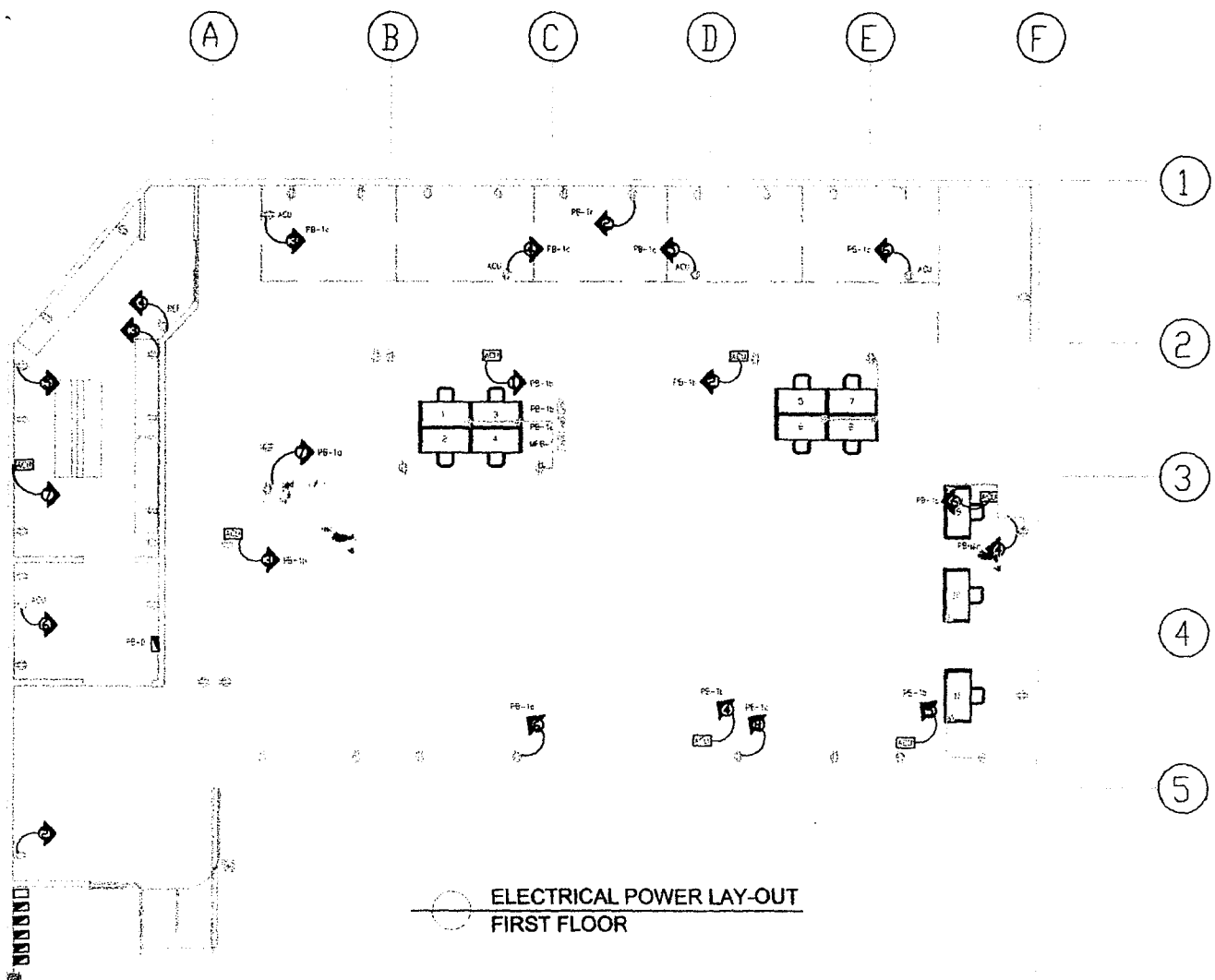
STAFF CHAIR  
 QUANTITY: 3RD FLR-12 PCS  
 GRND FLR - 7 PCS

DETAILS OF MODULAR PARTITION

- NOTES:
1. ALL SIZES AND LOCATIONS ARE SUBJECT TO CHANGE TO SUIT FIELD CONDITIONS
  2. THE DESIGNER SHALL NOT BE LIABLE FOR ANY ALTERATION/REVISION ON THE PLANS/DRAWINGS AND SPECIFICATIONS IMPROVED BY THE AUTHORIZED SUPERVISING ENGINEER DONE WITHOUT THEIR KNOWLEDGE THAT MAY IMPAIR THE STRENGTH OF THE PROJECT

 <p><b>CALAMBA WATER DISTRICT        ENGINEERING DEPARTMENT        PLANNING AND DESIGN DIVISION</b></p>	PROJECT TITLE:	AUTOCAD BY: ENGR. K. CERVANCIA	SHEET CONTENTS:	DATE:
	PROPOSED OFFICE MODULAR PARTITION	DESIGNED BY: ENGR. K. CERVANCIA	DETAILS	10.18.2016
	LOCATION:	CHECKED BY: ENGR. R.S. CARTAGO		SHEET NO.
	CALAMBA CITY, LAGUNA	RECOMMENDED BY: ENGR. R.S. CARTAGO	A-5	
LAKEVIEW SUBD., HALANG, CALAMBA CITY	APPROVED BY: ENGR. R.B. SUMANGA			

Design or drawing is the sole property of Calamba Water District. No part of this design or drawing may be reproduced or transmitted in any form or by any means without the written consent of the owner.



- LEGEND:**
- CIRCUIT HOMERUN
  - PANEL BOARD
  - ACU OUTLET
  - CONVENIENCE OUTLET (2 GANG)
  - SURFACE CONVENIENCE OUTLET V GROUND 2P 10A 250V
  - 2-3.5mm THHN EXTENSION WIR

Sch LEONARDO  
INTERNET

**ELECTRICAL POWER LAY-OUT  
FIRST FLOOR**

- NOTES:**
1. ALL SIZES AND LOCATIONS ARE SUBJECT TO CHANGE TO SUIT FIELD CONDITIONS.
  2. THE DESIGNER SHALL NOT BE LIABLE FOR ANY ALTERATION/REVISION ON THE PLANS/DRAWINGS AND SPECIFICATIONS IMPROVED BY THE AUTHORIZED SUPERVISING ENGINEER DONE WITHOUT THEIR KNOWLEDGE THAT MAY IMPAIR THE STRENGTH OF THE PROJECT.

<p><b>CALAMBA WATER DISTRICT</b> ENGINEERING DEPARTMENT PLANNING AND DESIGN DIVISION</p> <p>1607 Public Service</p>	PROJECT TITLE:	AUTOCAD BY: MR. A. L. DEL PRADO	SHEET CONTENTS:	DATE:
	Proposed Modular Partition	DESIGNED BY: MR. A.M. MANDANAS JR.	AS INDICATED ABOVE	11/16/20
	LOCATION:	CHECKED BY: ENGR R. A. CAPITALE		SHEET NO:
	Takeview Subd., Barangay Halang, Calamba City	RECOMMENDED BY: ENGR R.S. CARTAGO		E1
		APPROVED BY: MR. EXEQUIEL A. AGUILAR, JR.		